

If you require a domestic chimney or gas flue, we can provide a detailed costing of the flue components.
Please send your floor plans, sections and elevations to us or email them to tech@dunbrik.co.uk
If you need assistance with types of flue and sizes, please telephone our technical staff

Your details

Contact _____ Company _____

Address _____

Site Address (if different) _____

Your references / house type etc _____

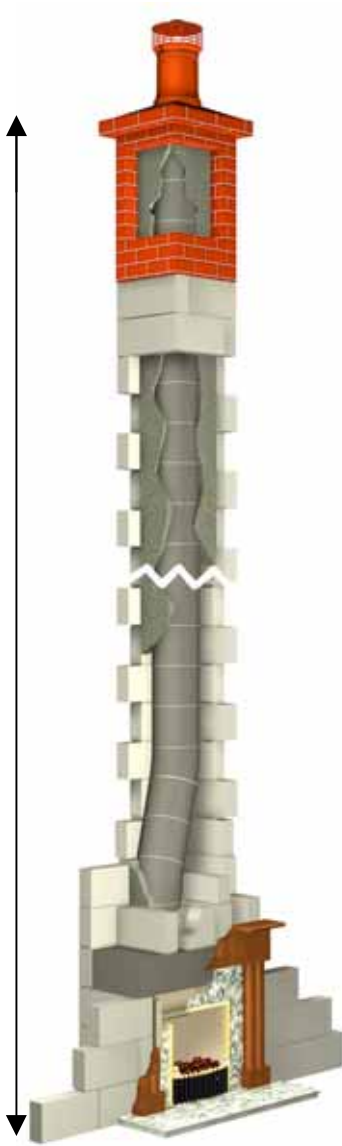
Tel: _____ Fax _____ Email: _____

Quick chimney flue costing

If you need a costing for a chimney flue quickly, please fill in the information below and send this form to us.
Technical/estimating Fax 01924 332878

Domestic Chimney Requirements

Flue height



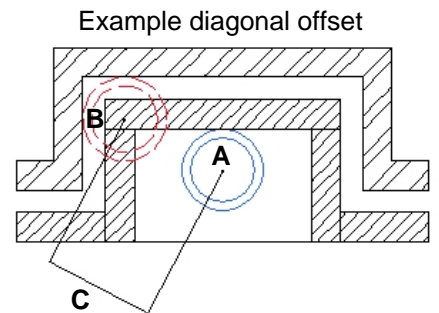
1. Flue height required _____ mm

The measurement is from finished floor level to the underside of pot as in the diagram

2. Flue offset required YES / NO

The measurement of offset is taken from the centre of the first liner to the centre of liner after the offset.

- See diagram for offset calculation
- A = First liner at throat level
- B = Liner position after offset
- C = Flue offset dimension



Flue offset 'C' _____ mm

If the offset distance is not known, send in your plans and our technical staff will do the calculation for you.

3. Recess type and size

Select one of the following options and enter your recess opening dimensions.

Please enter the finished recess opening height and width.

Recess height _____ mm

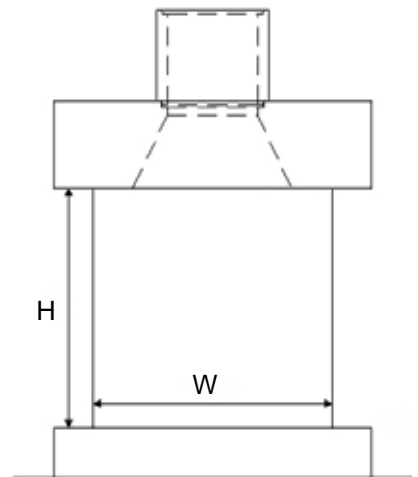
Recess width _____ mm

From these dimensions, Dunbrik can calculate the liner size required

Canopy hood to be installed YES / NO

Stove Connection to be installed YES / NO

Ext. diameter of stove pipe _____ mm



4. Type and colour of chimney pot and terminal

We will schedule for the standard chimney pot and terminal (where appropriate) in red. Please let us know if you want anything different.

Pot & terminal details _____